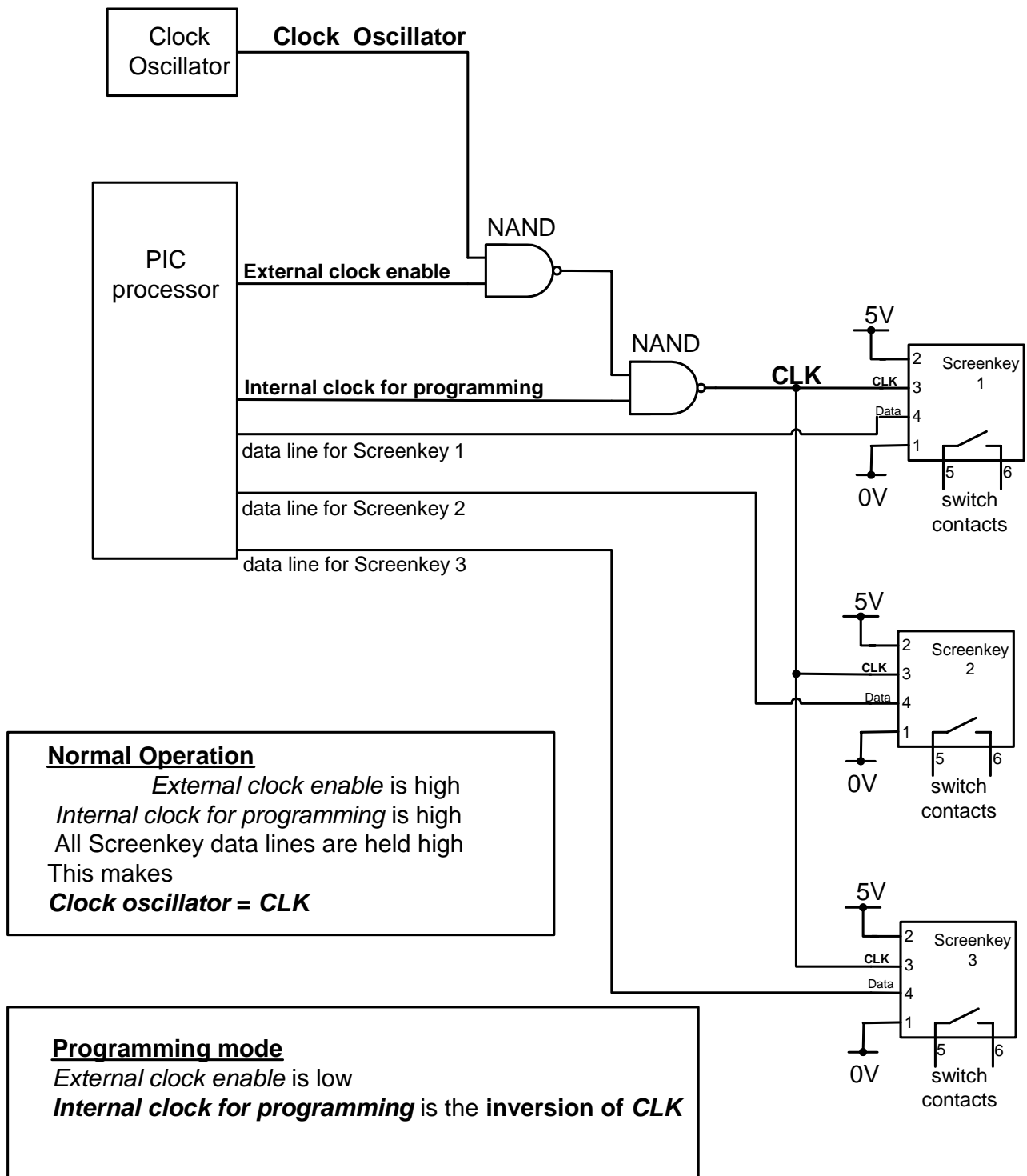


# PIC Processor Interface to programme Screenkeys



**Note:** Screenkey Data line is held high when not being programmed.  
 In programming mode the Data is clocked into the Screenkey when **CLK** line goes from **high** to **low**  
 i.e.Data is clocked into the Screenkey  
 when **Internal clock for programming** line from **PIC** goes from **low** to **high**